



We always try to satisfy our customers



Cosmetic Container Manufacturer DOOCO



49, Juyeom-ro 73beon-gil, Nam-gu, Incheon, Republic of Korea
Tel : 82-32-543-9966 Fax : 82-32-543-9967
E-mail : doocotra@dooco.co.kr
www.dooco.co.kr

information in this catalogue can be changed without notice.

CEO Message

We always try to satisfy our customers.

DOOCO has been devoted to customer satisfaction by seeking to develop the best products, quality and innovative new products. We are small but a strong company.
It has ceaselessly advanced since its establishment in 1996.

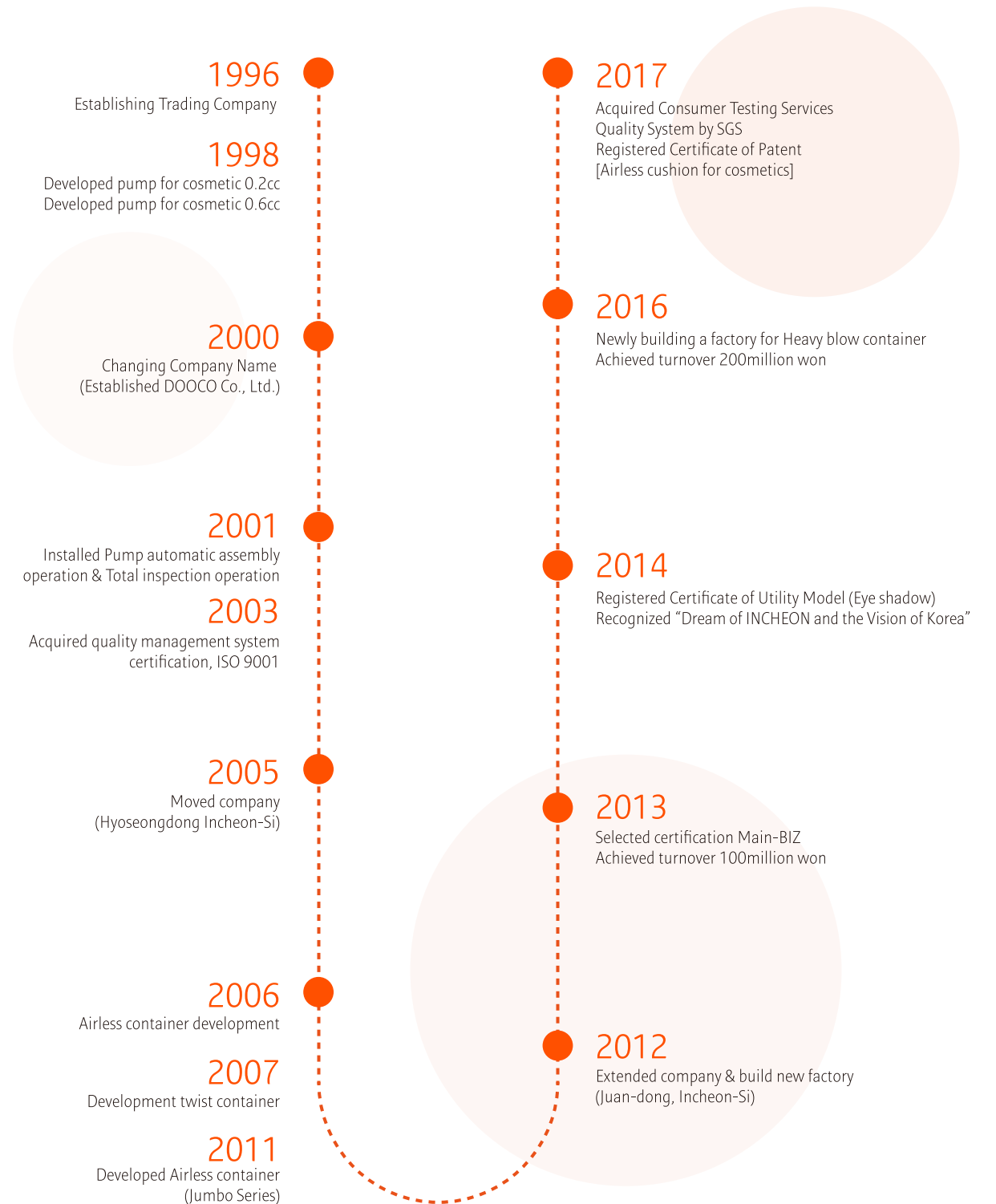
We are making the best products that satisfy customers with original and innovative product development and thorough quality control in the field of cosmetic container, airless pump, airless container and variety color cosmetic. We are focusing on domestic and international cosmetics market with our belief.

We will try to realize to be content for the customer, every year with various patent applications and design registration.
We will reach our customers with the best quality and technology.

thank you very much

President Byung - Sun, Min.

HISTORY



CONTENTS

Airless Series

- Single Wall Airless page 06-13
- Double Wall Airless - PP / PPR page 14-21
- Mini & Jumbo Line page 22-29

Color Cosmetic

- Airless & Airtight Compact page 30-35
- Point & Lip page 36-39

DOOCO Collection

- Stick Line page 40-43
- Cream Jar Line page 44-45
- Tube Line page 46-47
- Bottle Series Design page 48-63
- Dispensers page 64-69



IMAGE D33 Regular Pump Series (Shoulder Type)

AIRLESS SERIES



IMAGE D06 Double Wall Airless

D01

Regular Pump Series (Straight)

One of the most popular design
 Various appearances can be created with broad range of decoration options.



IMAGE D01 Regular Pump Series



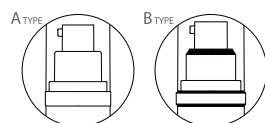
D01-1015 Regular Pump Series FOR ALL SKIN TYPES 15ml/0.51 fl.oz	D01-1020 Regular Pump Series FOR ALL SKIN TYPES 20ml/0.70 fl.oz	D01-1025 Regular Pump Series FOR ALL SKIN TYPES 25ml/0.85 fl.oz	D01-1030 Regular Pump Series FOR ALL SKIN TYPES 30ml/1.05 fl.oz	D01-1035 Regular Pump Series FOR ALL SKIN TYPES 35ml/1.18 fl.oz	D01-1040 Regular Pump Series FOR ALL SKIN TYPES 40ml/1.41 fl.oz	D01-1045 Regular Pump Series FOR ALL SKIN TYPES 45ml/1.54 fl.oz	D01-1050 Regular Pump Series FOR ALL SKIN TYPES 50ml/1.76 fl.oz	D01-6030 Regular Pump Series FOR ALL SKIN TYPES 30ml/1.05 fl.oz
Φ26 X 106.5mm	Φ26 X 122.5mm	Φ26 X 137.5mm	Φ31 X 113.7mm	Φ31 X 123.8mm	Φ31 X 133.7mm	Φ33 X 134.8mm	Φ33 X 142.8mm	Φ31 X 115.2mm

Part Material • Over Cap : SAN/ABS/PN • Shoulder : PP • Bottle : SAN • Base : ABS

D01

Regular Pump Series (Shoulder Type A/B)

As a most classic design,
Various appearances can be created with board range of decoration options
Three types of bases and a wide range of size options can be selectable depends on rquirements.



01-2130 30mL Φ31 X 121mm	01-2040 15mL Φ26 X 115mm	01-2020 20mL Φ26 X 130mm	01-2025 25mL Φ26 X 145mm	01-2030 30mL Φ31 X 121mm	01-2035 35mL Φ31 X 131mm	01-2040 40mL Φ31 X 141mm	01-2045 45mL Φ33 X 143.5mm	01-2050 50mL Φ33 X 151.5mm

Part Material • Over Cap : SAN /ABS / PN • Pump Cover : ABS • Bottle : SAN • Base : ABS

D02

Regular Pump Series (PP-A, PPR)

Most common but essential containers in cosmetics.
From the simple and basic finish to the sophisticate design, wide range of options are available.



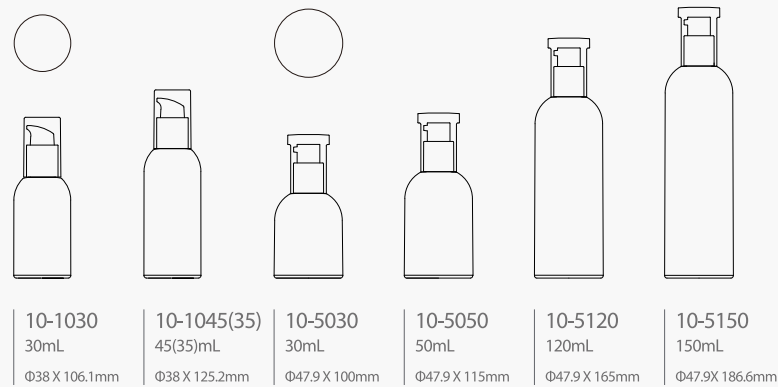
02-1020 20mL Φ32.5 X 93.7mm	02-1030 30mL Φ32.5 X 109mm	02-1050 50mL Φ32.5 X 140.2mm	02-3030 30mL Φ38.7 X 105.3mm	02-3050 50mL Φ38.7 X 133.3mm

Part Material • Over Cap : PP • Shoulder : PP • Bottle : PP • Button : PP

D10

Glass Series (Original / T type)

Various pump and bottle designs,
Various appearances can be created with broad range of decoration options.



Part Material • Over Cap : SAN/PN • Shoulder : PP/AL • Bottle : SAN/PN • Button : SAN/PN • Base : ABS

D10

Glass Series (New Original)

New Ecofriendly concept of cosmetic containers to fine tune your brand offering.



Part Material • Over Cap : PN • Shoulder : ABS • Bottle : SAN • Button : PP • Base : ABS

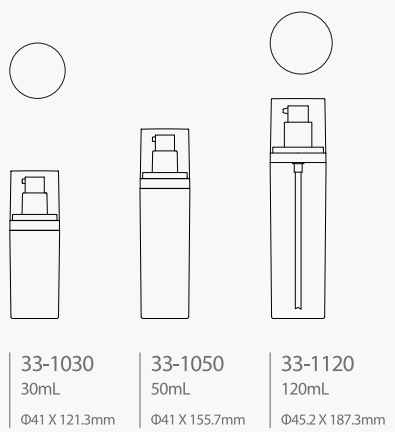
D33

Regular Pump Series (Shoulder Type)

As a most classic design,
 Various apperances can be created with broad range of decoration options
 Three types of bases and a wide range of size options can be selectable depends on requirements.



IMAGE D06 GL Series (Double / For Man)

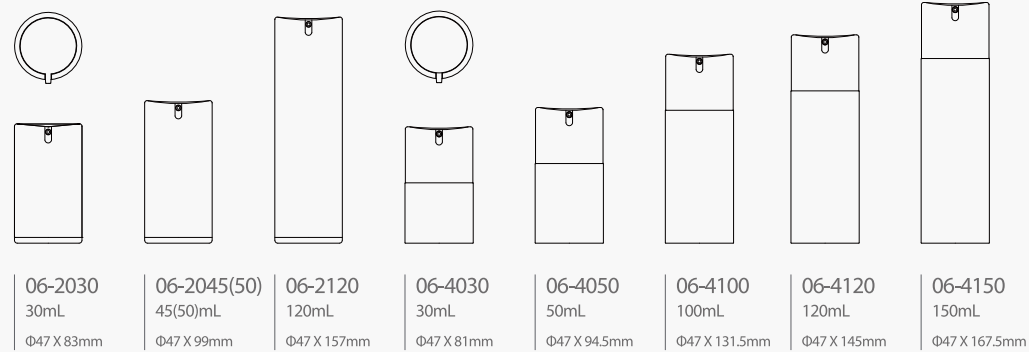


Part Material • Over Cap : PN • Shoulder : ABS • Out Bottle : SAN/PN • Inner Bottle : PP/PETG

D06

GL Series (Double / For Man)

OVERCAP-LESS
 Dual structure airless bottle!
 This design offers stylish and professional image to the product.
 With the thin base, this line various decoration options.

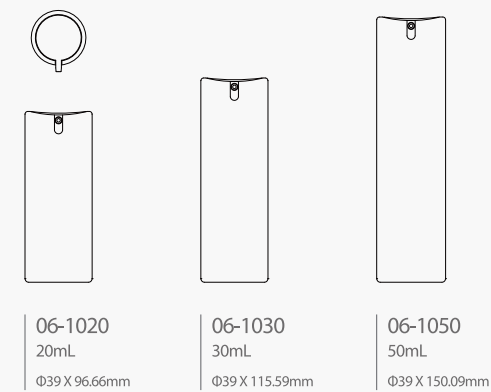


Part Material • Button : ASA • Shoulder : ABS • Bottle : SAN/PP • Base : ABS/PP

D06

GL Series (GL Essence)

Take advantage of a wide range of options for creating as unmistakable look.
 Exclusively young and dynamic - in design, form, colour and finish.



Part Material • Button : ASA • Inner Cap : PP • Inner Base : PP • Out Bottle : PN

D05

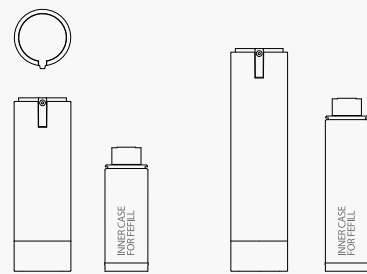
Regular Pump Series (New Twist)

OVERCAP-LESS

Dual structure airless bottle!

This design offers stylish and professional image to the product.

With the thin base, this line various decoration options.



05-1030
30mL
Ø39.5 X 120mm

05-1050
50mL
Ø39.5 X 155mm

Part Material • Button : ASA • Out Bottle : ABS • Inner Bottle : PP • Base : ABS

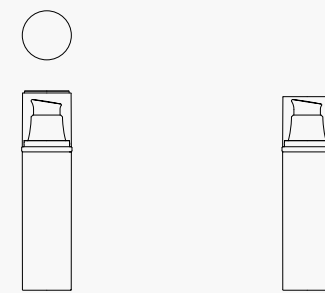
D03

Regular Pump Series (Double-A / Plaque Type)

As a most classic design,

Various appearances can be created with board range of decoration options

Two types of bases and a wide range of size options can be selectable depends on requirements.



03-1050
45(50)mL(Plaque Type)
Ø37.7 X 154.1mm

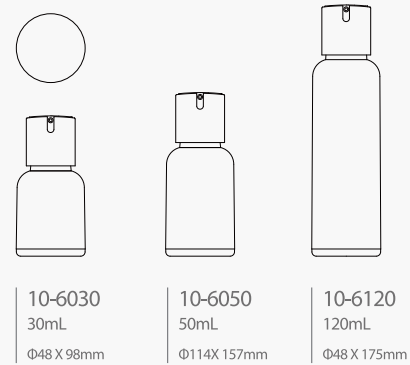
03-1050
45(50)mL(Normal)
Ø37.7 X 151.3mm

Part Material • Over Cap : ABS/PN • Shoulder : ABS • Bottle : SAN • Base : PP

D10

Glass Series (Double)

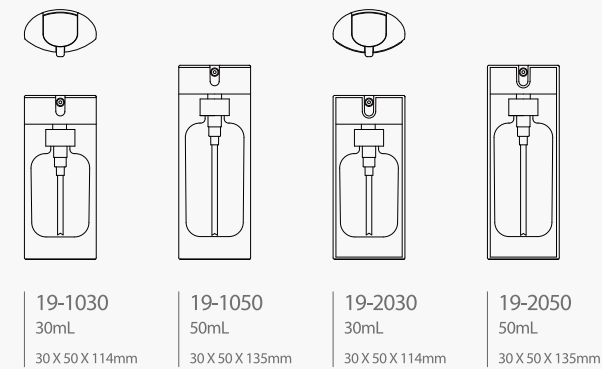
Classical glass-shaped skincare line including airless systems and blow moulded bottle.



Part Material • Over Cap : PN • Botton : PP/AL • Shoulder : PP/AL • Bottle : SAN • Base : ABS

D19

Blow Pouch (Regular / Plaque Type)



Part Material • Shoulder : ABS • Out Bottle : ABS • Inner Bottle : PE

MINI & JUMBO LINE

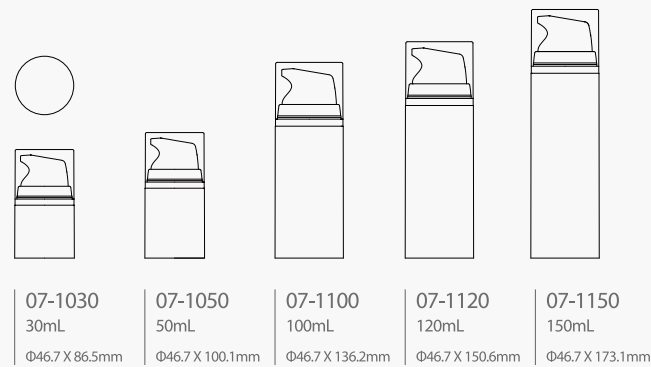


IMAGE D07 Mini Jumbo Series / D11 PP Mini Series

D07

JUMBO Series (Single Type)

Various shapes and size for jumbo containers.



Part Material • Over Cap : PP/ABS/PN • Shoulder : PP • Bottle : PP • Base : ABS • Button : PP

D07

JUMBO Series (Double Type)

Various shapes and size for jumbo containers.



Part Material • Button : PP • Over Cap : PN/PP/ABS • Shoulder : PP • Out Bottle : SAN • Inner Bottle : PP

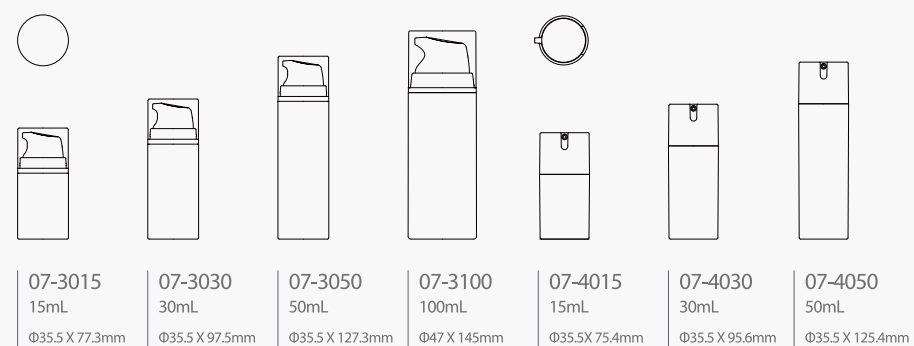
D07

N JUMBO Series

Take advantage of a wide range of options for creating unmistakable look.



EL TYPE



Part Material • Over Cap : PP/AL • Shoulder : PP • Bottle : PP/AL • Button : PP

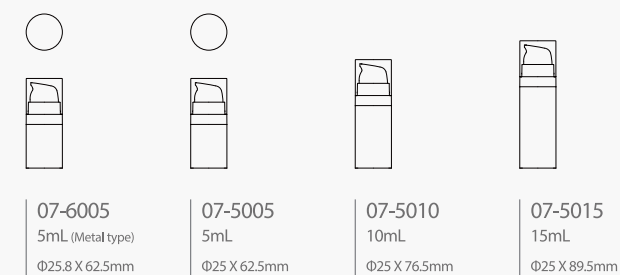
D07

MINI JUMBO Series

Take advantage of a wide range of options for creating unmistakable look.



METAL TYPE

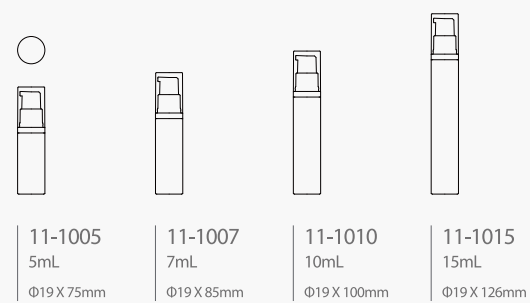


Part Material • Button : PP/AL • Over Cap : PP • Shoulder : PP • Bottle : PP/AL

D11

PP Mini Series

Various shapes and size for mini containers.

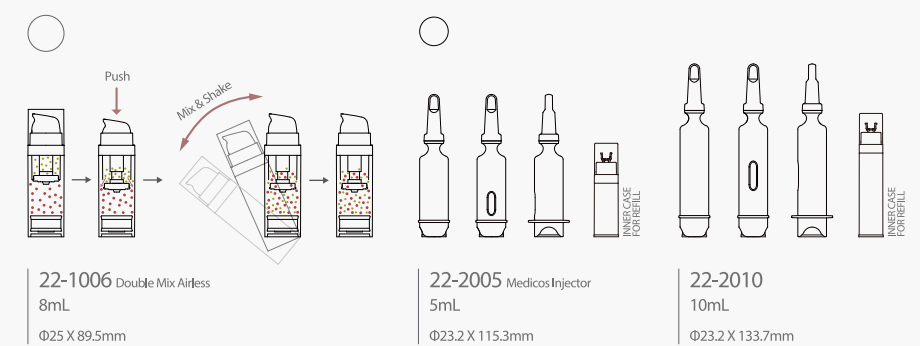


Part Material • Button : PP • Over Cap : PP • Shoulder : PP • Bottle : PP

D22

Double Airless / Medicos Injector

Elegant and premium containers as a dual structure.
Mini and Medicos injector containers.



Part Material • Over Cap : PP/PN • Shoulder : PP • Out Bottle : PP/PN • Inner Bottle : PP • Button : PP



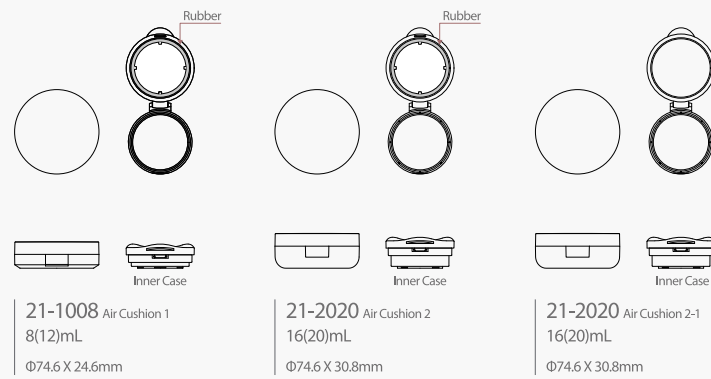
COLOR COSMETIC

IMAGE D32 LIP Stick(Circle / Square)

D21

Aircushion Series

Air-tight function by NBR gasket

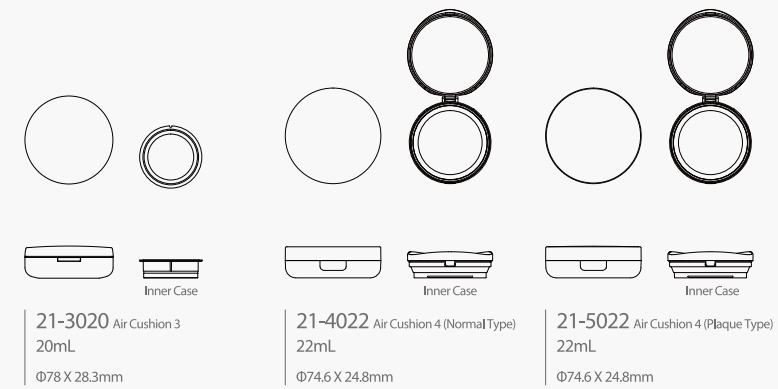


Part Material • Upper Case : ABS • Lower Case : ABS • Middle Frame : ABS • Push Button : PC/POM/ABS

D21

Airtight Compact Series

Ultimate solution for liquid foundation.
Available in 2 different types of basic and simple design compact case.
(Flat-top type / plaque type)

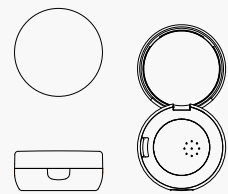


Part Material • Upper Case : ABS • Lower Case : ABS • Middle Frame : ABS • Push Button : PC/POM/ABS

D31

Airless Compact Line (Side Type)

Unique actuating liquid compact especially for high viscous formula.



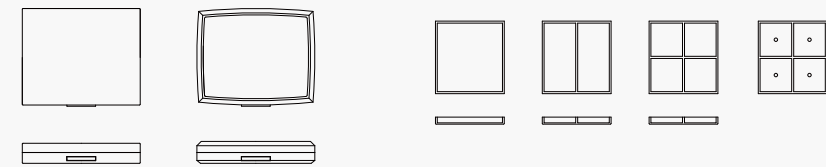
31-1016 Side Compact
16mL
Φ78 X 34.8mm

Part Material • Upper Case : ABS • Lower : ABS • Middle Frame : PP • Push Button : ABS

D15

Slim Compact Line

Powder Compact / Eye Shadow Palette



15-1001
82 X 68 X 14mm

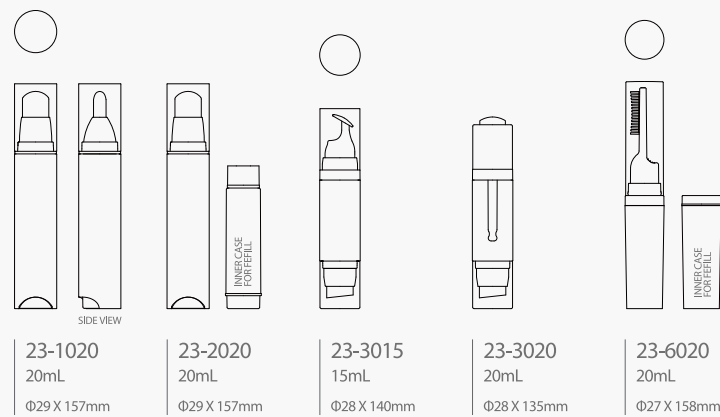
15-2001
82 X 68 X 15mm

Part Material • Upper Case : ABS • Cover : SAN • Lower Case : ABS • Pallet : PN • Button : ABS/PC

D23

Foundation Applicator

Cream & liquid Foundation / Makeup base containers.
Sprit containers.

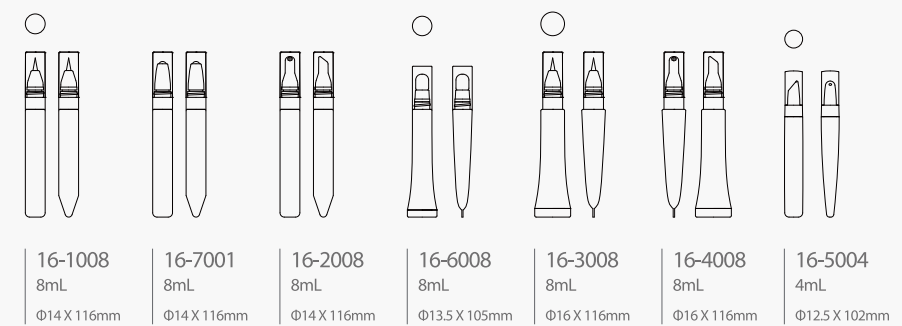


Part Material • Over Cap : SAN/PETG/PP • Botton : PP • Shoulder : PP • Bottle : PP/SAN • Button : ABS/PC • Base : ABS

D16

Lip gloss Series

Lipgloss containers.

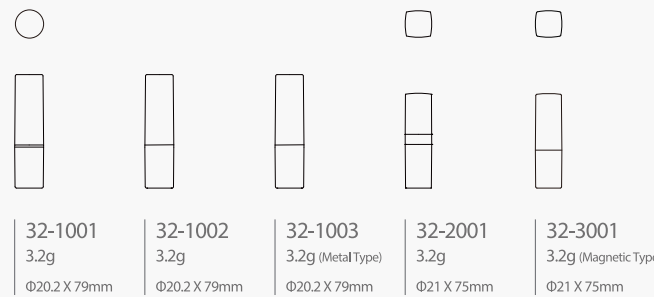


Part Material • Over Cap : PP/PN • Shoulder : PP • Bottle : PP

D32

Lip Stick (Circle, Square : Regular / Ring Type)

One of the most popular design
 Various appearances can be created with broad range of decoration



Part Material • Over Cap : ABS • Shoulder : ABS • Bottle : ABS



IMAGE DOOCO Make Up Series

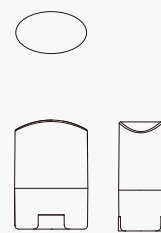


DOOCO COLLECTION

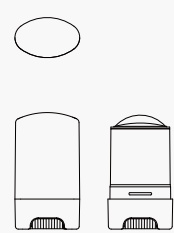
D18

Sticks Series

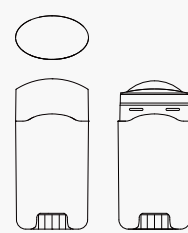
Dial-screw system can be applied for deodorant and stick-foundation.



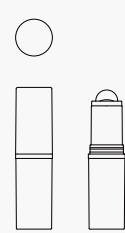
18-1018
18mL
29.2 X 51.1 X 75.4mm



18-3020
20mL
26.9 X 44.5 X 81.1mm



18-3050
50mL
30.3 X 50.7 X 104.6mm



18-3010
10mL
Ø25.6 X 98.6mm

Part Material • Over Cap : PP/PN • Inner Cap : PP • Handle : PP • Bottle : PP

D57

Dropper

New droppers using pump engine. It offers soft feel and accurate dosage.



57-1020 Dropper
Ø24.5 X 86mm

Part Material • Dropper Shoulder : ABS • Dropper Button : ABS • Dropper Pipette : GLASS

D17

Cream Jar Series

Introuced various types of jars, which has been the standard container type.

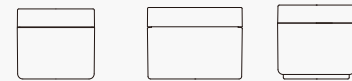


SINGLE JAR



17-1080 80mL Ø86.4 X 27mm	17-1100 100mL Ø86.4 X 31.2mm	17-1200 200mL Ø86.8 X 53mm	17-2065 65mL Ø60 X 50.8mm
---------------------------------	------------------------------------	----------------------------------	---------------------------------

DOUBLE JAR



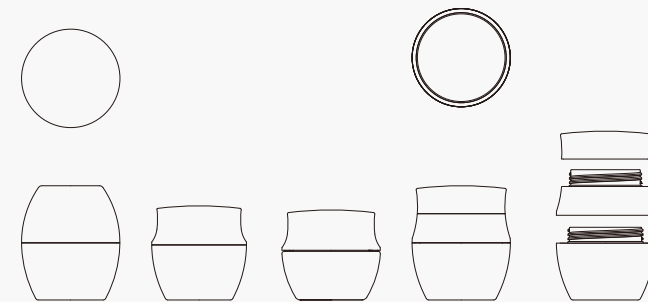
17-2075 75mL Ø60 X 54.5mm	17-3100 100mL Ø73.8 X 55.6mm	17-4075 75mL Ø60.2 X 57.5mm
---------------------------------	------------------------------------	-----------------------------------

Part Material • Over Cap : PP/SAN/ABS/PETG • Out Bottle : PP/SAN/PETG • Inner Bottle : PP • Base : ABS

D24

Cream Jar Series

Introuced various types of jars, which has been the standard container type.



24-1050 50mL Ø72 X 83.7mm	24-2050 50mL Ø72 X 71.5mm	24-2100 100mL Ø72 X 65.9mm	24-5030 30+50mL Ø72 X 83.7mm
---------------------------------	---------------------------------	----------------------------------	------------------------------------

Part Material • Over Cap : PETG • Middle Cap : ABS • Inner Cap : PP • Bottle : SAN • Base : ABS

D09

Pump Tube Series

Most popularized airless system



Part Material • Over Cap : ABS/PN • Button : PP/AL • Shoulder : ABS/PP • Bottle : PE/ABL

D09

Pump Tube Series

Wide range of size from 30ml to 150ml and many decoration options are available.
Exclusively young and dynamic in design, form, color and finish.



Part Material • Over Cap : ABS / SAN / PN • Button : PP • Shoulder : ABS • Bottle : PE / ABL

SERIES DESIGN

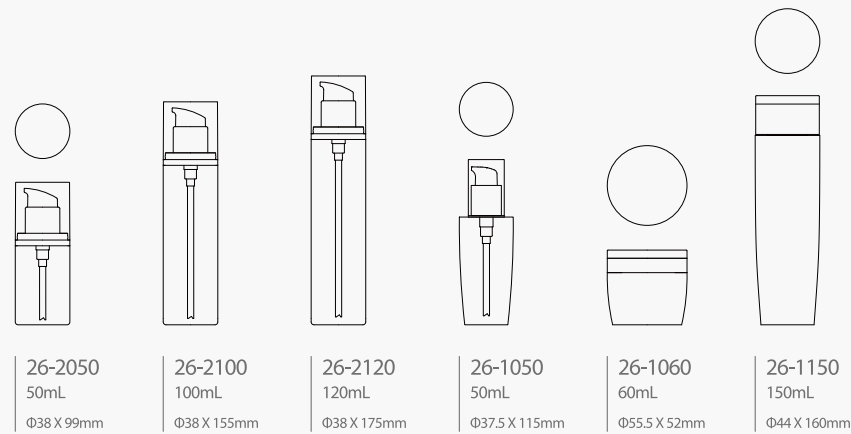


IMAGE D06 GL Series / D20 SET Series

D26

Blow Bottle Series

Simple and basic with dip-tube type. Wide ranges of options are available.

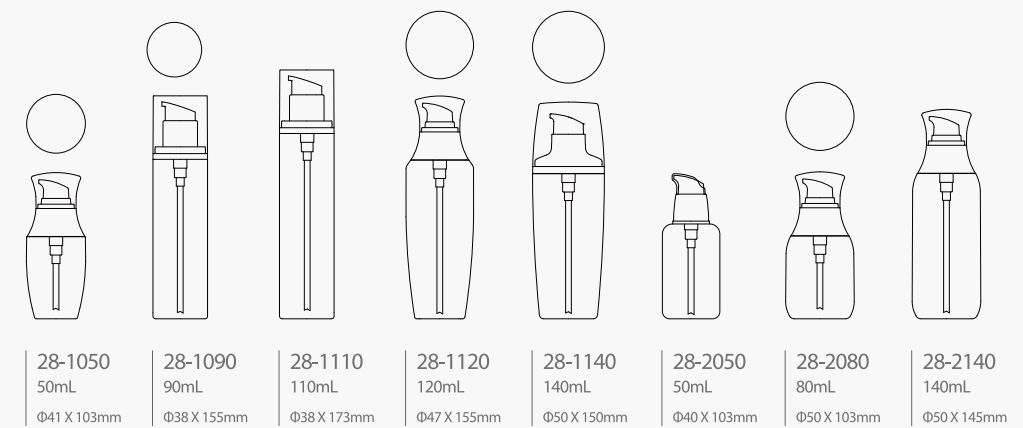


Part Material • Over Cap: PN/PP/AL • Button: PP/AL • Shoulder: ABS/PP/AL • Bottle: PET/PETG

D28

Heavy Blow Series

Elegant with dip-tube type. Wide ranges of options are available.

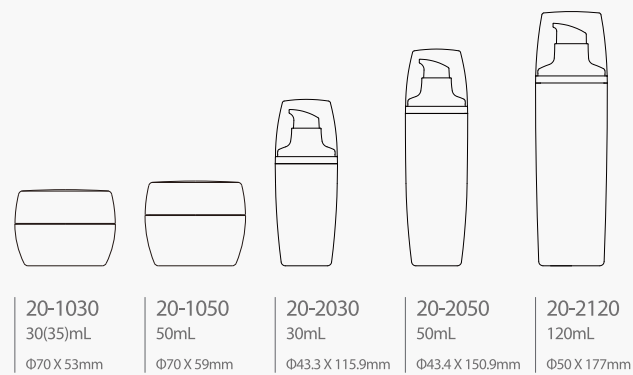


Part Material • Over Cap: PETG • Shoulder: ABS • Bottle: PETG

D20

Set Series (Double Wall)

Elegant and premium containers as a dual structure.
Full line-up including jars make your product line distinctive.

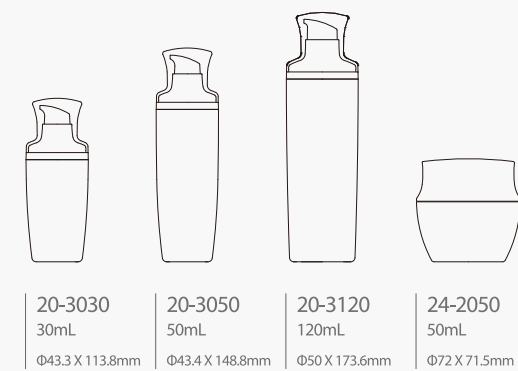


Part Material • Over Cap : PN • Inner Cap : PP • Out Bottle : SAN • Inner Bottle : PP • Shoulder : ABS

D20

Set Series (Double Wall)

Simple and basic with airless and dip-tube type. Wide ranges of options are available.

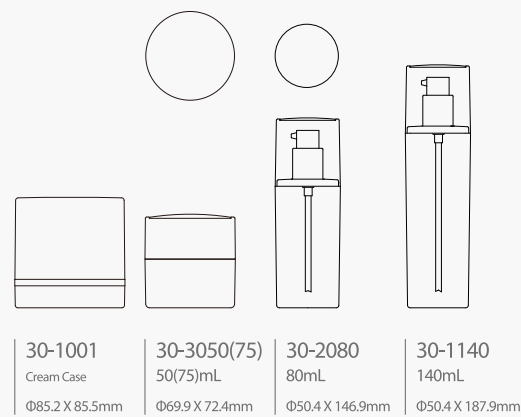


Part Material • Over Cap : PN • Out Bottle : SAN • Inner Bottle : PP • Shoulder : ABS

D30

Double Wall Airless Series

New double wall airless container with simple and fabulous design.



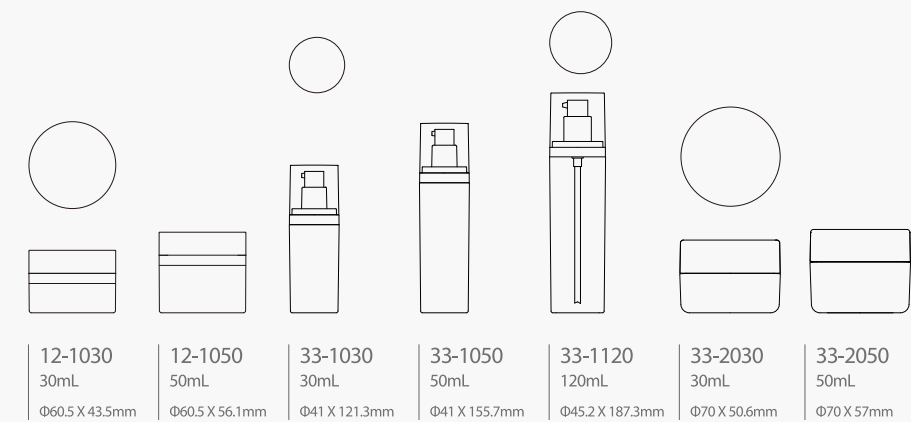
Part Material • Over Cap : PN • Inner Case : PP • Shoulder : PN/ABS • Out Bottle : SAN/PN • Inner Bottle : PP

D12 / D33

Basic Set (Regular Double Wall)

Full line-up skincare series.

Various appearances can be created with broad range of decoration options.

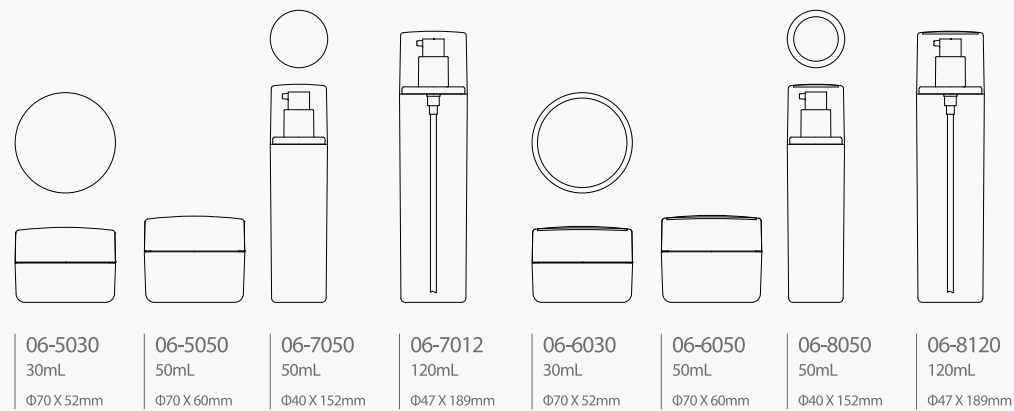


Part Material • Over Cap : ABS/PN/SAN • Inner Cap : PP • Shoulder : PN/ABS • Out Bottle : SAN/PN • Inner Bottle : PP/PETG

D06

GL Series (Regular Jar / Plaque Jar)

Full line-up skincare series.
Various appearances can be created with broad range of decoration options.

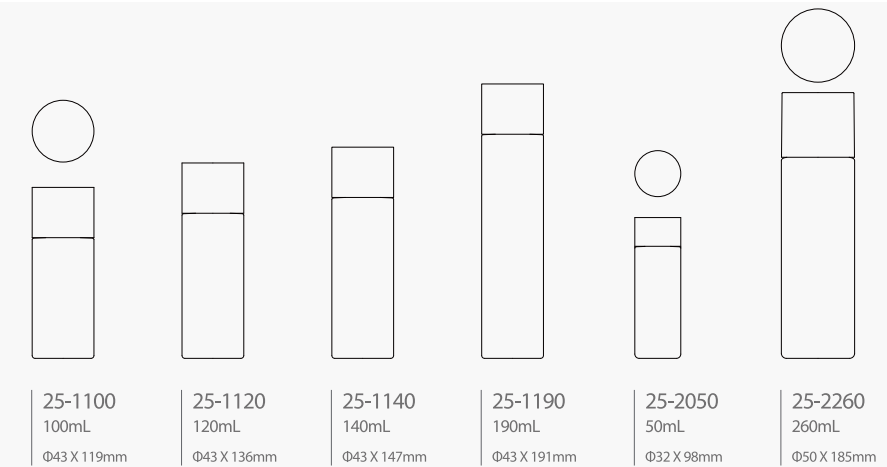


Part Material • Over Cap : PN/PP/AL • Button : PP/AL • Shoulder : ABS/PP/AL • Bottle : PET/PETG

D25

Blow Bottle Series (Remover)

Simple look single wall bottle.

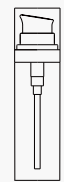


Part Material • Over Cap : ABS/SAN/PP • Bottle : PETG

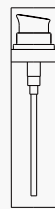
D04

Regular Pump Series (Double)

Most common but essential containers in cosmetics.
From the simple and basic finish to the sophisticated design, wide range of options are available.



04-2030
30mL
Ø31.5 X 120mm



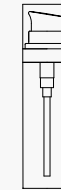
04-2040
40mL
Ø31.5 X 139mm

Part Material • Over Cap : ABS/SAN • Shoulder : PN • Inner Bottle : PP • Out Bottle : SAN

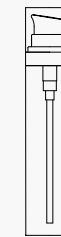
D04

Regular Pump Series (Single)

Most common but essential containers in cosmetics.
From the simple and basic finish to the sophisticated design, wide range of options are available.



04-1040
40mL
Ø31.6 X 119.9mm



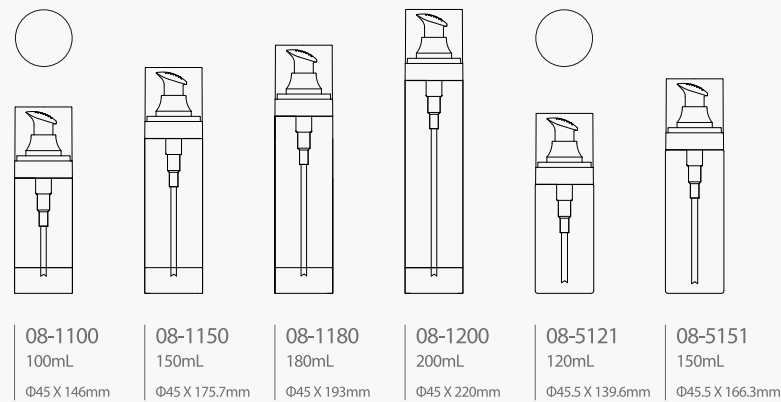
04-1050
50mL
Ø31.6 X 148.35mm

Part Material • Over Cap : ABS/SAN • Shoulder : PN • Bottle : SAN

D08

Blow Bottle Series (A)

Simple and basic with airless and dip-tube. Wide ranges of options are available.

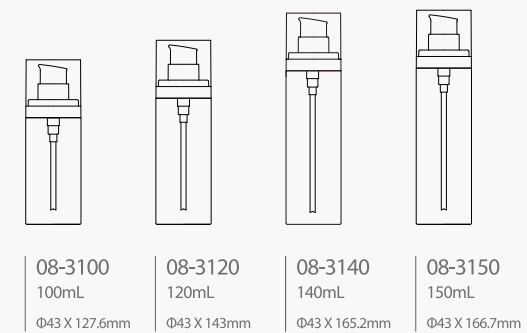


Part Material • Over Cap : SAN/ABS • Shoulder : ABS/PP • Bottle : PETG • Base : ABS

D08

Blow Bottle Series (B)

Simple and basic with airless and dip-tube. Wide ranges of options are available.

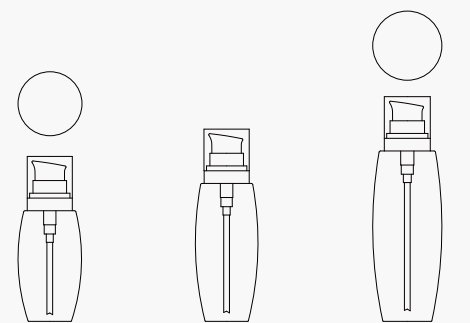


Part Material • Over Cap : SAN/ABS • Shoulder : ABS/PP • Bottle : PETG

D08

Blow Bottle Series (C)

Simple and basic with airless and dip-tube. Wide ranges of options are available.



08-4080
80mL
Φ44 X 115mm

08-4100
100mL
Φ44 X 134mm

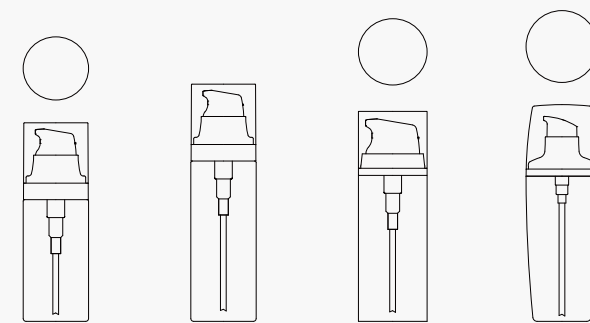
08-4150
150mL
Φ48 X 156mm

Part Material • Over Cap : ABS/SAN • Shoulder : PN • Bottle : PETG

D08

Blow Bottle Series (E / J / T)

Simple and basic with airless and dip-tube. Wide ranges of options are available.



08-5120
120mL
Φ46 X 138mm

08-5150
150mL
Φ46 X 165mm

08-0150
150mL
Φ48 X 147mm

08-9150
150mL
Φ50 X 151mm

Part Material • Over Cap : ABS/SAN/PN • Shoulder : ABS/PP • Bottle : PETG



DISPENSERS

IMAGE F//G/E Pump

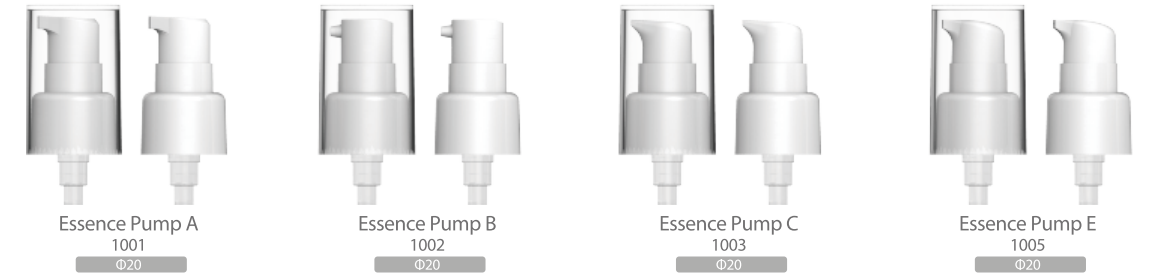
DISPENSERS

Various shape and size of dispensers for your own customized designs.

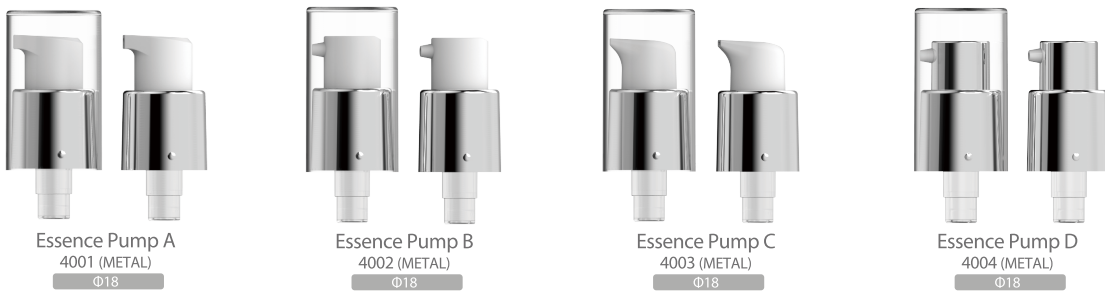
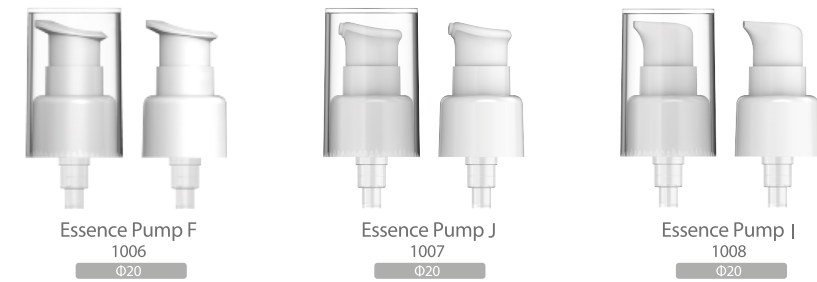
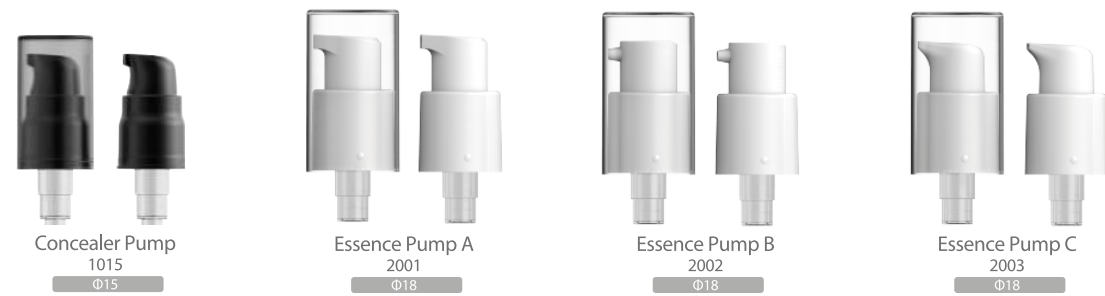
D50



D52



D51



DISPENSERS

Various shape and size of dispensers for your own customized designs.

D52



Essence Pump E
5005 (METAL)
Φ20



Essence Pump F
5006 (METAL)
Φ20



Essence Pump I
5007 (METAL)
Φ20



Essence Pump J
5008 (METAL)
Φ20

D53



Essence Pump A
1001
Φ24



Essence Pump B
1002
Φ24



Essence Pump C
1003
Φ24



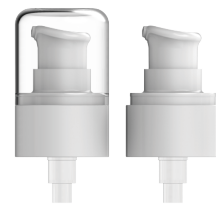
Essence Pump E
1005
Φ24



Essence Pump F
1006
Φ24



Essence Pump I
1007
Φ24



Essence Pump J
1008
Φ24



Essence Pump R
1018
Φ24

D54



Essence Pump G
1801
Φ18



Essence Pump G
2201
Φ22



Essence Pump G
3301
Φ33



Essence Pump K
4018
Φ18



Essence Pump G
4020
Φ20

D55



Tube
1001
Φ18



Tube
2004 (METAL)
Φ18



Tube
5007 (SHOULDER TYPE)
Φ18



Tube K
6001
Φ30



Tube
1107 (ELLIPSE TYPE)
Φ18

D56



Blow Pump A
2006
Φ24



Blow Pump A
2007 (METAL)
Φ24



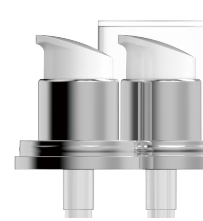
Blow Pump B
3002
Φ18



Blow Pump C
4006
Φ24



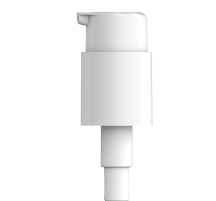
Blow Pump E
5006
Φ24



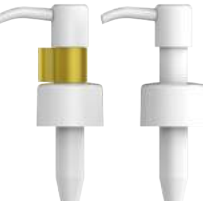
Heavy Blow Pump
1502
Φ18



Heavy Blow Pump
1602
Φ18



0.6 Pump H
8006
0.6cc



Oil Pump I
9006
Φ24



Oil Pump SI
9007
Φ24



49, Juyeom-ro 73beon-gil, Nam-gu, Incheon, Republic of Korea

Tel : 82-32-543-9966 Fax : 82-32-543-9967

E-mail : doocotra@dooco.co.kr

www.dooco.co.kr

information in this catalogue can be changed without notice.